

INSTALLATION INSTRUCTIONS

Troldtekt® lighting – wave

Installed in Troldtekt® acoustic ceilings i T35 profile system

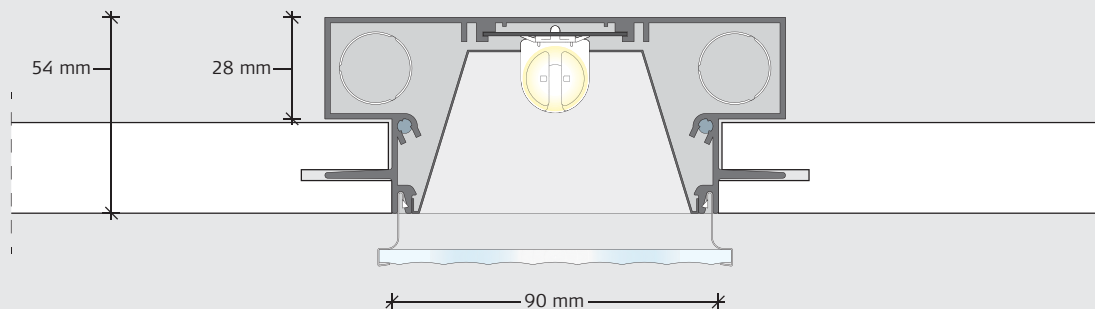
LONGITUDINAL, SINGLE AND DOUBLE REFLECTOR



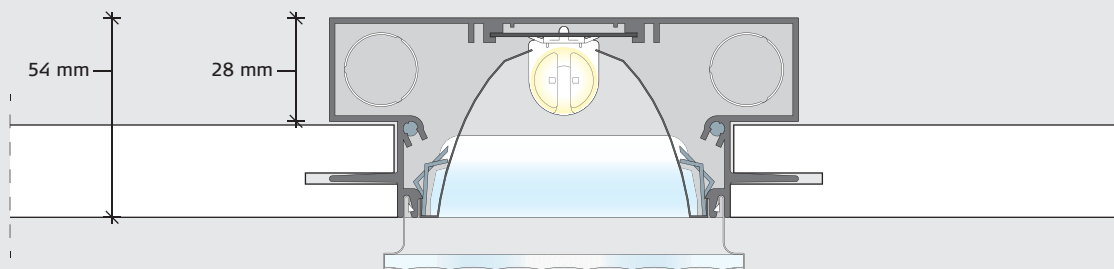
600 or 1200 mm
Clear or matt glass

INSTALLATION DIAGRAM FOR LONGITUDINAL LAMPS

Single dish



Double dish



INSPECTION ON RECEIPT

Check that the following components are complete and undamaged on receipt. Please inform the supplier immediately in case of visible defects or non-conformities on the armatures. We cannot accept claims regarding visible defects or non-conformities after installation of the armatures in the ceiling.

COMPONENTS

Single dish



Glass	Clear glas
	Matt glas

Double dish



Glass	Clear glas



Reflector	Aluminium reflector, white
	Aluminium reflector, anodised



Reflector	Aluminium reflector, double dish



Armature housing	Extruded aluminium, 600×90 mm
	Extruded aluminium, 1200×90 mm



Armature housing	Extruded aluminium, 600×90 mm
	Extruded aluminium, 1200×90 mm



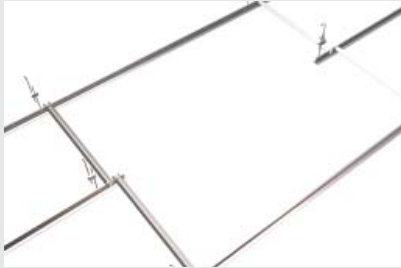
Fluorescent lamp	Compact, T5 14/24W
	Compact, T5 28/54W



Fluorescent lamp	Compact, T5 14/24W
	Compact, T5 28/54W

INSTALLATION

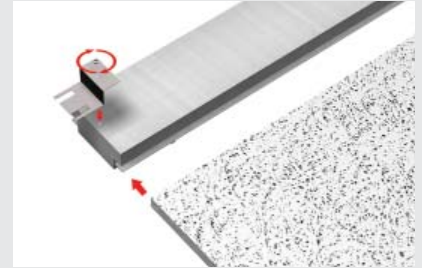
T35 profile system and longitudinal lamps



1: Install the profile system. Follow the instructions for Troldekt acoustic panels in exposed T35 profile system.



2: The longitudinal armature replaces the T-profile.



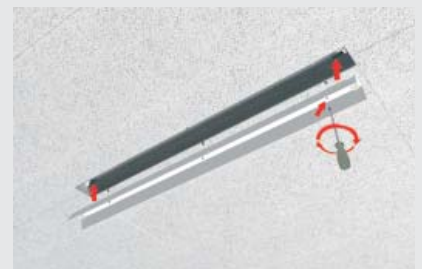
3: Install the Z-bracket and push the flange over the Troldekt panel.



4: Attach the Z-bracket to the T-profile.



5: Place the Troldekt panels in the profile system.



6: Install the reflector.
Note: For double dishes, install the fluorescent lamp before the reflector.



7: Install the fluorescent lamp.



8: Click the glass in place to be retained by the clips.



9: Longitudinal lamp installed in Troldekt ceiling.

DESIGN

Wave is designed by the Danish architectural company CUBO Arkitekter A/S. The series is characterised by its wavy glass that offers exciting design and optimum light distribution without blinding.



LABELLING

CE marking: All lamps with a voltage exceeding 50 V must be CE marked to be sold in Denmark or other EU countries. The CE marking is the manufacturer's way of stating that the individual product meets the general safety requirements of relevant CE marking directives.



F mark: The armature is designed for direct installation on a regular combustible base.



Class 1: All lamps in the Troldtekt lighting series are Class 1. There are no marking requirements for Class 1 lamps.

IP23: The IP marking indicates the degree of protection against dust and water penetrating the lamp.



MAINTENANCE

Cleaning: Glass and acrylic parts, armatures and reflector can be cleaned using a mild detergent solution at a water temperature of max. 60°C. Use a soft cloth for wiping.

NOTE: Remember to turn off the power when cleaning with water.

Avoid using detergents containing abrasives or solvents, as such products can damage the surface. Also avoid hard brushing or scrubbing.

FURTHER INFORMATION

Changes, errors and omissions excepted. You can always download the latest version of these installation instructions from www.troldtekt.com, where you will also find all our other Troldtekt installation instructions.