

INSTALLATION INSTRUCTIONS

Troldtekt® access panel 600x1200 mm
Installed in C60 profile system.

These instructions apply to installation of the Troldtekt® access panel 600x1200 mm in a C60 profile system.

INSPECTION ON RECEIPT

Check that the following components are complete and undamaged on receipt. Please inform the supplier immediately of any visible defects or non-conformities as we are unable to accept claims regarding visible defects or non-conformities once the access

panel has been fitted. Please also refer to the instructions regarding storage and acclimatisation as well as care and maintenance of Troldtekt acoustic panels – download at www.troldtekt.com

COMPONENTS

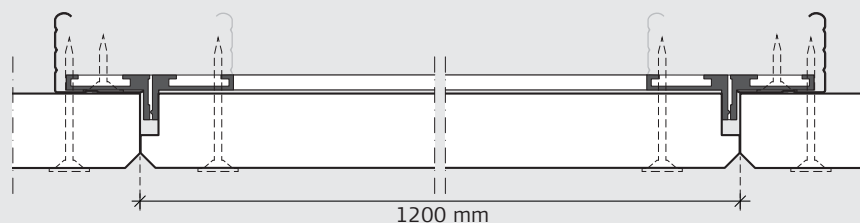


Outer frame



Inner frame with pre-installed acoustic panel

INSTALLATION DIAGRAM



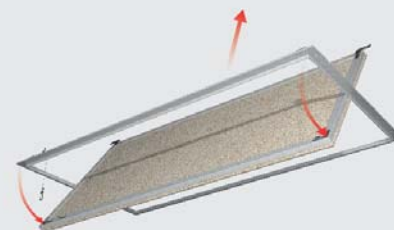
SEPARATING THE ACCESS PANEL PRIOR TO INSTALLATION



1: Release the inner frame from the outer frame by pressing it from below. This releases the latch mechanism.

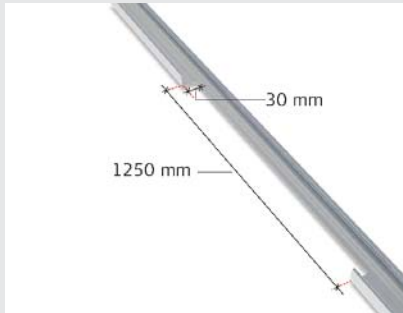


2: Once the frame is open, release the snap hook.



3: The frames can now be separated.

INSTALLATION OF 600X600 MM ACCESS PANEL



4: Make cuts as shown to enable installation in the two C60 profiles which will carry the access panel.



5: Profile system prepared for installation of the 1200 mm access panel.



6: Hold the outer frame in position and secure it to the profiles with four self-drilling screws. Then replace the access panel inside the outer frame.

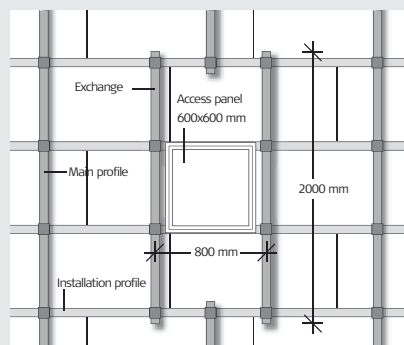


7: To open the access panel, press the Troldtekt acoustic panel lightly under the push release locks.

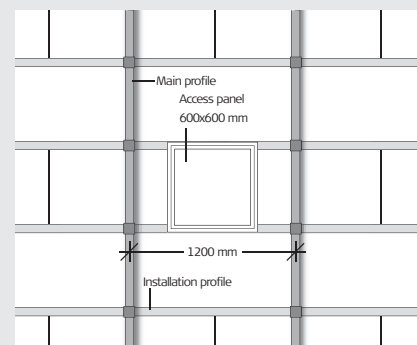


8: Release the snap hook to open the access panel completely.

EXCHANGE



With exchange, 1 main profile is interrupted



With exchange, 2 main profiles are interrupted