

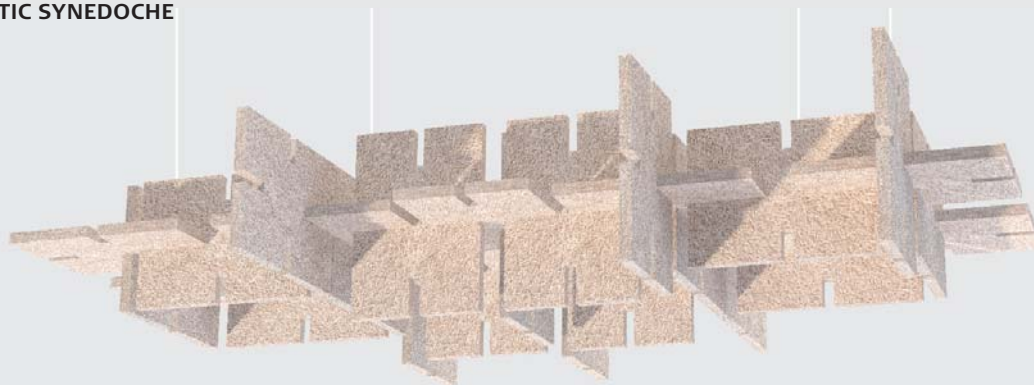
INSTALLATION INSTRUCTIONS

Troldtekt® acoustic synecdoche

These instructions apply to installation of the acoustic synecdoche.

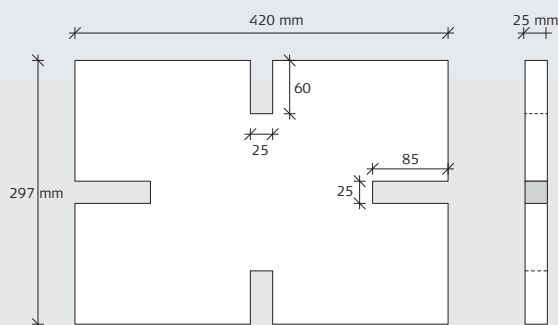
Download installation instructions for all Troldtekt® panel types from www.troldtekt.com.

ACOUSTIC SYNECOCHE



SYNECOCHE ELEMENT

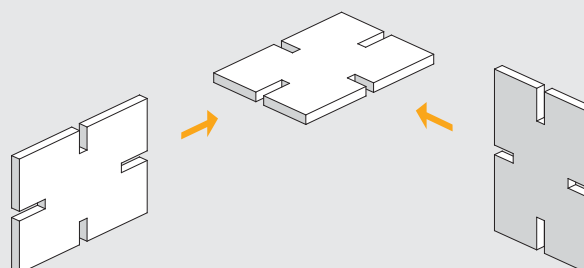
Each synecdoche element measures 420 x 297 x 25 mm, and can be combined in countless ways.



ASSEMBLY

Synecdoche panels are assembled by sliding the slots in the panels together. This joins the panels to one another without the use of tools.

The finished synecdoche can be suspended from wires in the ceiling. When attaching wires to the synecdoche, it may be advisable to glue wood strips in place for reinforcement.



1. Three synecdoche elements are joined.

2. The elements interlock with one another and the figure can be extended.

