

INSTALLATION INSTRUCTIONS

Troldtekt® access panel 300x300 mm and 400x400 mm installed in C60 profile system

These instructions apply to installation of the Troldtekt® access panel 300x300 mm and 400x400 mm in a C60 profile system.

INSPECTION ON RECEIPT

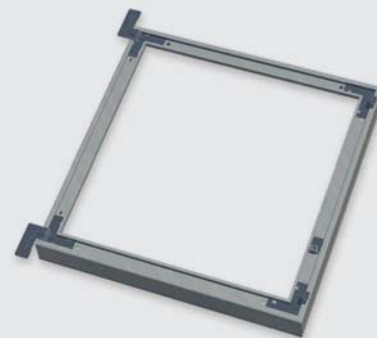
Check that the following components are complete and undamaged on receipt. Please inform the supplier immediately of any visible defects or non-conformities as we are unable to accept claims regarding visible defects or non-conformities once the access

panel has been fitted. Please also refer to the instructions regarding storage and acclimatisation as well as care and maintenance of Troldtekt acoustic panels – download at www.troldtekt.com

COMPONENTS

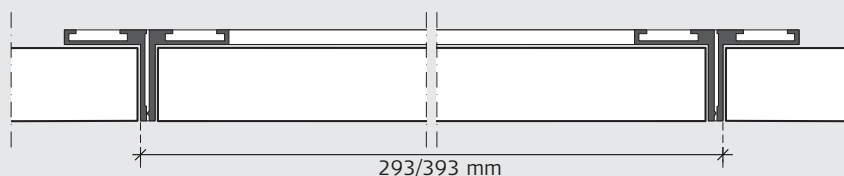


Outer frame

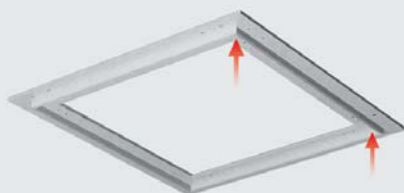


Inner frame

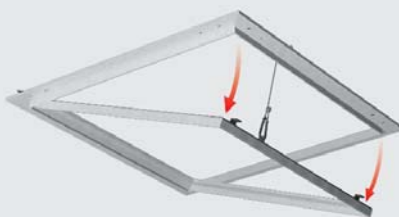
INSTALLATION DIAGRAM



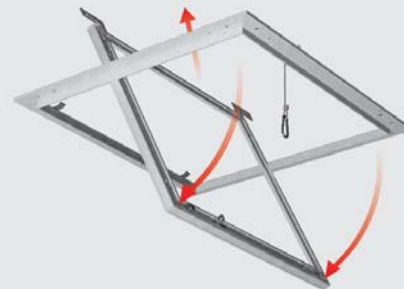
SEPARATING THE ACCESS PANEL PRIOR TO INSTALLATION



1: Release the inner frame from the outer frame by pressing it from below. This releases the latch mechanism.



2: Once the frame is open, release the snap hook.



3: The frames can now be separated.

INSTALLATION OF 300X300 AND 400X400 MM ACCESS PANEL



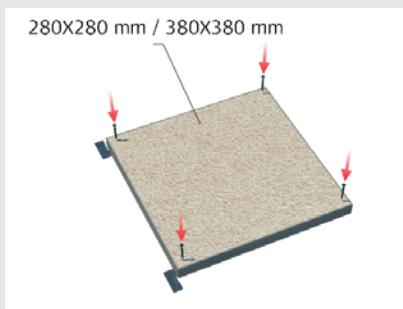
1: Cut a hole for the outer frame, and apply assembly adhesive on the back of the panel.



2: Separate the outer frame from the inner frame, and then press it down into the Troldtekt® acoustic panel.



3: With the outer frame installed, now screw the acoustic panel in place in the C60 profile system.



4: Cut out a section of acoustic panel for installing in the inner frame of the access panel. Secure the panel with four self-drilling screws. The access panel can now be put into place.



A: To open the access panel, press the Troldtekt acoustic panel lightly under the push release locks.



B: Release the snap hook to open the access panel completely.