

# INSTALLATION INSTRUCTIONS

for Troldekt® rhomb mini panels installed with screws

These instructions apply to the installation of Troldekt® rhomb mini panels with screws on wooden battens. If you install Troldekt® on wood battens, the battens should be minimum 22 x 95 mm. You can download installation instructions for wood battens from [www.troldekt.com](http://www.troldekt.com).

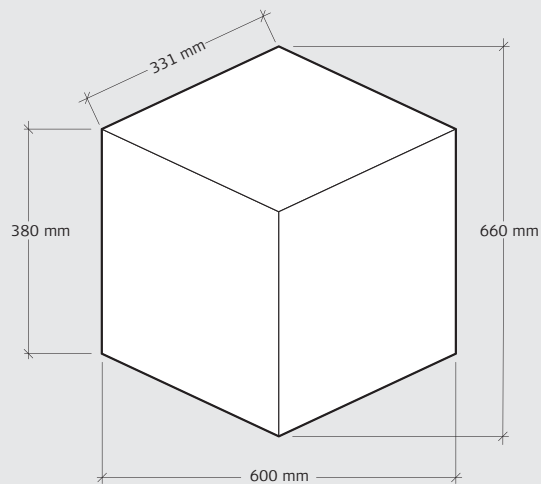
## INSTALLATION

Fix the panels using Troldekt screws spaced 25/20 mm from the edges – as shown in the figures below.

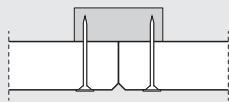
Be careful not to overdrive the screws and so cause an indentation in the panel.

## PANEL DIMENSIONS

Each panel is 0,312 m<sup>2</sup>.



## CROSS-SECTION DRAWING



K5: With 5 mm bevel

## PATTERN

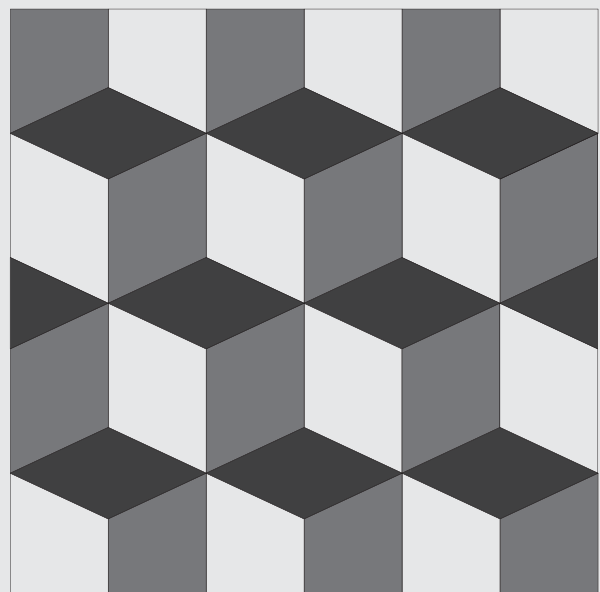
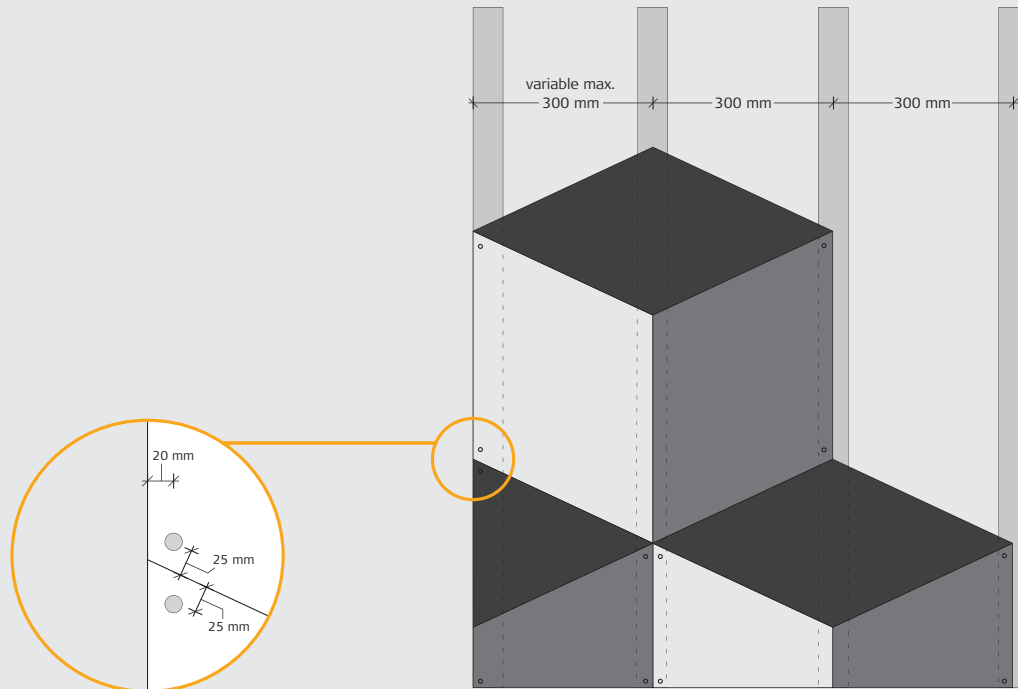


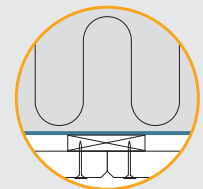
ILLUSTRATION – INSTALLATION



VAPOUR CHECK

If you need to install a vapour check, we recommend using polyethylene. The vapour check must be placed over the wooden battens, i.e. between the battens and the main beam. Fit the vapour check so that it lies flat and taugt against the insulation.

Please refer to the manufacturer's instructions.



TROLDTEKT® SCREWS

PANEL THICKNESS (mm)	PANEL WIDTH (mm)	AREA (m <sup>2</sup> )	SCREW DIMENSION (mm)	NO. OF SCREWS (per panel)	MAX. SPAN (mm)
25	600	0,312	4,2 × 45	4	600



Troldekt structure screw for wood and steel, PH2